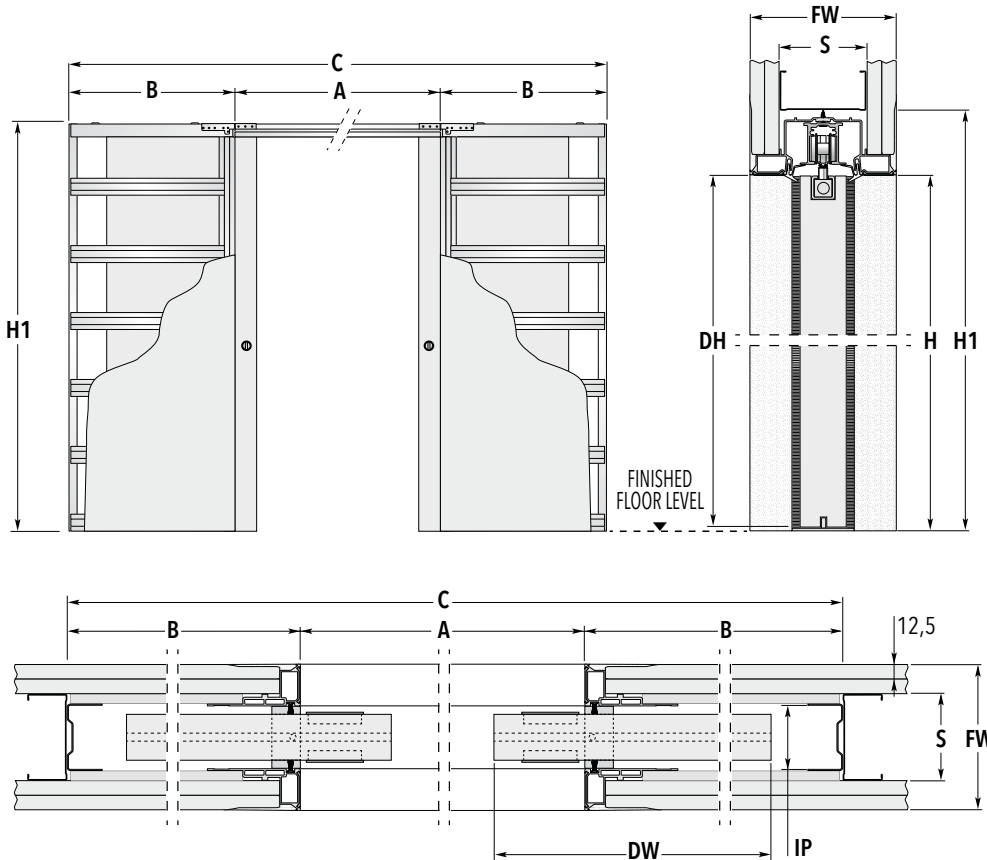


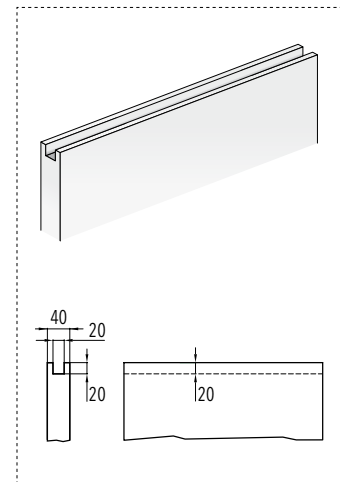
ECLISSE SYNTESIS® LINE DOUBLE

STUD WALL



WARNING

Door panels for ECLISSE SYNTESIS® FLUSH sliding pocket door systems must be milled along the upper and lower profiles, as shown below (milling not required on glass doors).



SYSTEMS FOR DOUBLE DOOR - Measures related to Italian standards, other dimensions available

PASSAGE SIZE A x H	OVERALL DIMENSIONS B C x H1	DOOR PANEL* DW DH
1200 x 2000/2100	750 2686 x 2060/2160	615 ÷ 635 1992/2092
1400 x 2000/2100	850 3086 x 2060/2160	715 ÷ 735 1992/2092
1600 x 2000/2100	950 3486 x 2060/2160	815 ÷ 835 1992/2092
1800 x 2000/2100	1050 3886 x 2060/2160	915 ÷ 935 1992/2092
2000 x 2000/2100	1150 4286 x 2060/2160	1015 ÷ 1035 1992/2092

FINISHED WALL= FW	STUDWORK= S	INTERNAL PASSAGE= IP
100	→ 75 - with one plasterboard layer	54
125	→ 75 - with two plasterboard layers	54
150	→ 100 - with two plasterboard layers	54

Dimensions are given in mm.

NON STANDARD SIZES

- ▶ Passage width
FW 100: 600+600÷1000+1000 mm
FW 125: 600+600÷1300+1300 mm
FW 150: 600+600÷2000+2000 mm
- ▶ Passage height
FW 100: 1000÷2100 mm
FW 125: 1000÷2700 mm
FW 150: 1000÷3000 mm
- ▶ Half sizes need bespoke door panels (e.g. A=1300 mm).

NOTES

- ▶ The passage A is reduced by 14 mm.
- ▶ For A>2000 mm and H>2150 mm only available wall thickness 125 and 150 mm.
- ▶ Max door thickness 40 mm (including any glass holder for glazed door).
- ▶ Max. door weight 100 kg (150 kg on request).
- ▶ Install at finished floor level.
- * Listed measures refer to wooden door panels only.
- ▶ Due to system's productive characteristics and for safety reasons, ECLISSE recommends the door panel protrudes 80 mm.
- ▶ If needed, the adjustable door stop allows to modify the real passage size.
- ▶ In order to ensure that the door disappear completely, a milling is required.
- ▶ The milling for the door guide must have the following dimensions: 7 x 15 mm.

ACCESSORIES

- ▶ ECLISSE SYNTESIS® BASEBOARD
- ▶ Double doors co-ordination for ECLISSE SYNTESIS®
- ▶ ECLISSE BIAS®
- ▶ ECLISSE BIAS®DS
- ▶ Anti-warp profile
- ▶ ECLISSE PUSH&PULL S