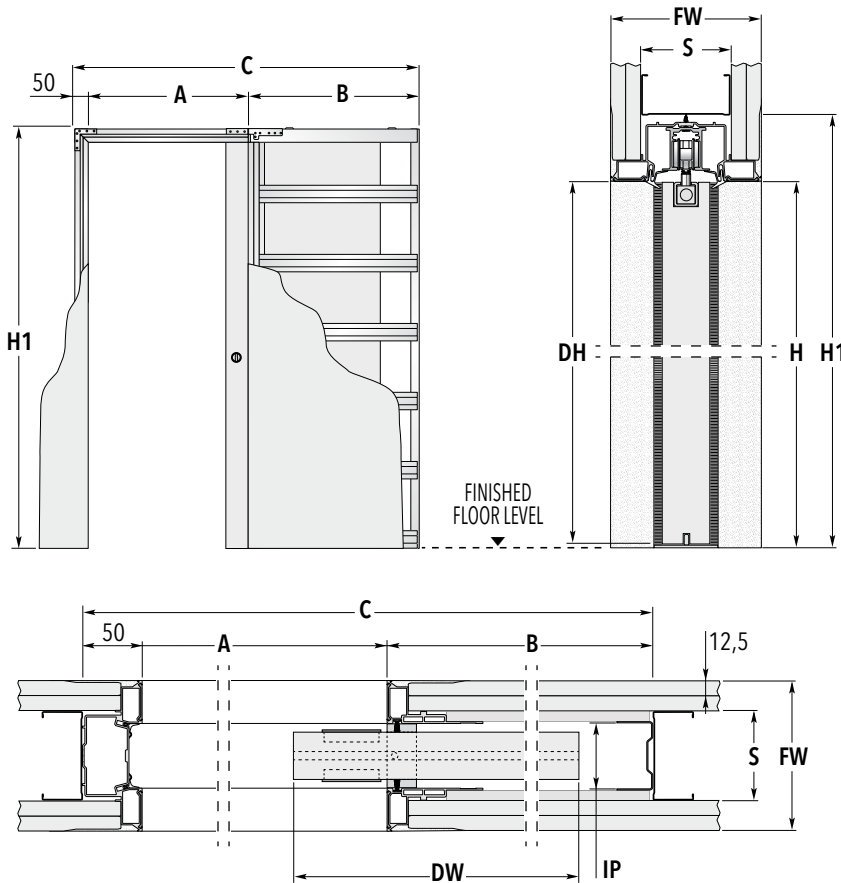


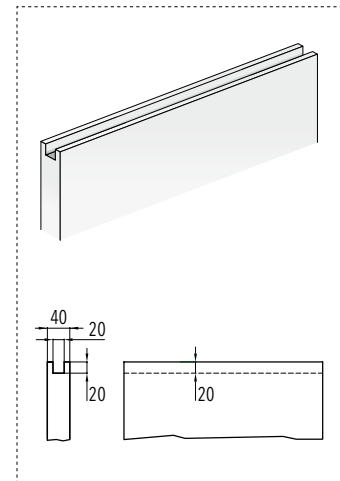
# ECLISSE SYNTESIS® LINE

## STUD WALL



**WARNING**

Door panels for ECLISSE SYNTESIS® FLUSH sliding pocket door systems must be milled along the upper and lower profiles, as shown below (milling not required on glass doors).



**SYSTEMS FOR SINGLE DOOR - Measures related to Italian standards, other dimensions available**

PASSAGE SIZE <b>A x H</b>	OVERALL DIMENSIONS		DOOR PANEL*	
	<b>B</b>	<b>C x H1</b>	<b>DW</b>	<b>DH</b>
<b>600 x 2000/2100</b>	750	1393 x 2060/2160	615 ÷ 635	1992/2092
<b>700 x 2000/2100</b>	850	1593 x 2060/2160	715 ÷ 735	1992/2092
<b>800 x 2000/2100</b>	950	1793 x 2060/2160	815 ÷ 835	1992/2092
<b>900 x 2000/2100</b>	1050	1993 x 2060/2160	915 ÷ 935	1992/2092
<b>1000 x 2000/2100</b>	1150	2193 x 2060/2160	1015 ÷ 1035	1992/2092

FINISHED WALL= <b>FW</b>	STUDWORK= <b>S</b>	INTERNAL PASSAGE= <b>IP</b>
<b>100</b> →	75 - with one plasterboard layer	54
<b>125</b> →	75 - with two plasterboard layers	54
<b>150</b> →	100 - with two plasterboard layers	54

Dimensions are given in mm.

NON STANDARD SIZES	NOTES	ACCESSORIES
<ul style="list-style-type: none"> <li>▶ Passage width FW 100: 600÷1000 mm FW 125: 600÷1300 mm FW 150: 600÷2000 mm</li> <li>▶ Passage height FW 100: 1000÷2100 mm FW 125: 1000÷2700 mm FW 150: 1000÷3000 mm</li> <li>▶ Half sizes need bespoke door panels (e.g. A=650 mm).</li> </ul>	<ul style="list-style-type: none"> <li>▶ The passage A is reduced by 7 mm.</li> <li>▶ For A&gt;1000 mm and H&gt;2150 mm only available wall thickness 125 and 150 mm.</li> <li>▶ Max door thickness 40 mm (including any glass holder for glazed door).</li> <li>▶ Max. door weight 100 kg (150 kg on request).</li> <li>▶ Install at finished floor level.</li> <li>* Listed measures refer to wooden door panels only.</li> <li>▶ Due to system's productive characteristics and for safety reasons, ECLISSE recommends the door panel protrudes 80 mm.</li> <li>▶ If needed, the adjustable door stop allows to modify the real passage size.</li> <li>▶ In order to ensure that the door disappear completely, a milling is required.</li> <li>▶ The milling for the door guide must have the following dimensions: 7 x 15 mm.</li> </ul>	<ul style="list-style-type: none"> <li>▶ ECLISSE SYNTESIS® BASEBOARD</li> <li>▶ ECLISSE BIAS®</li> <li>▶ ECLISSE BIAS®DS</li> <li>▶ Anti-warp profile</li> <li>▶ ECLISSE PUSH&amp;PULL S</li> </ul>