

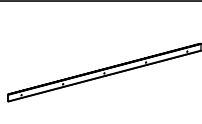


**MANTION POLSKA**

WWW.MANTION.PL

# Bragi| ROC DESIGN

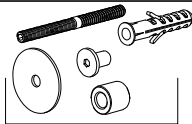
219-327, 219-337, 219-347, 219-357, 219-367



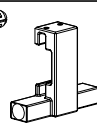
x1



x2



x4/x5/x6



x2



x2



x1



St4x40

Ø6x30

x2



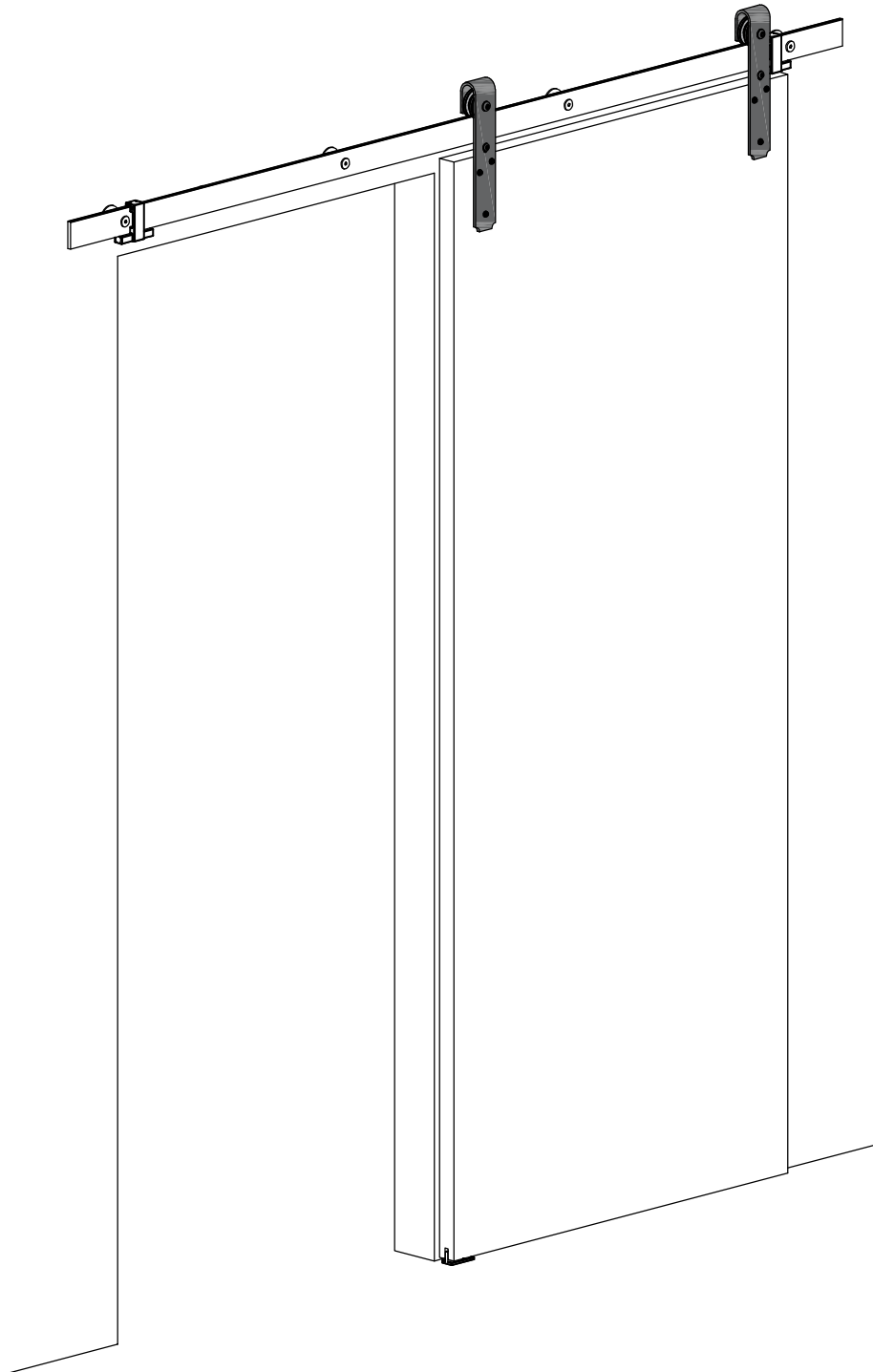
St5x40

x6



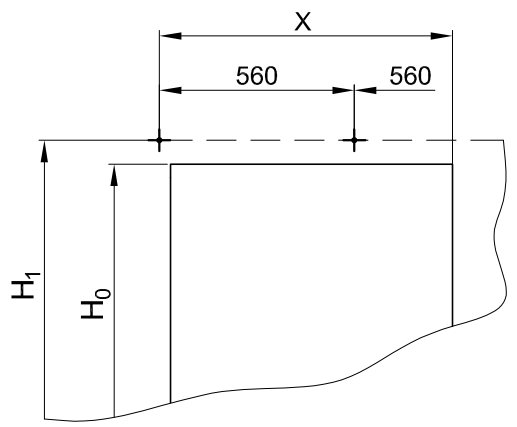
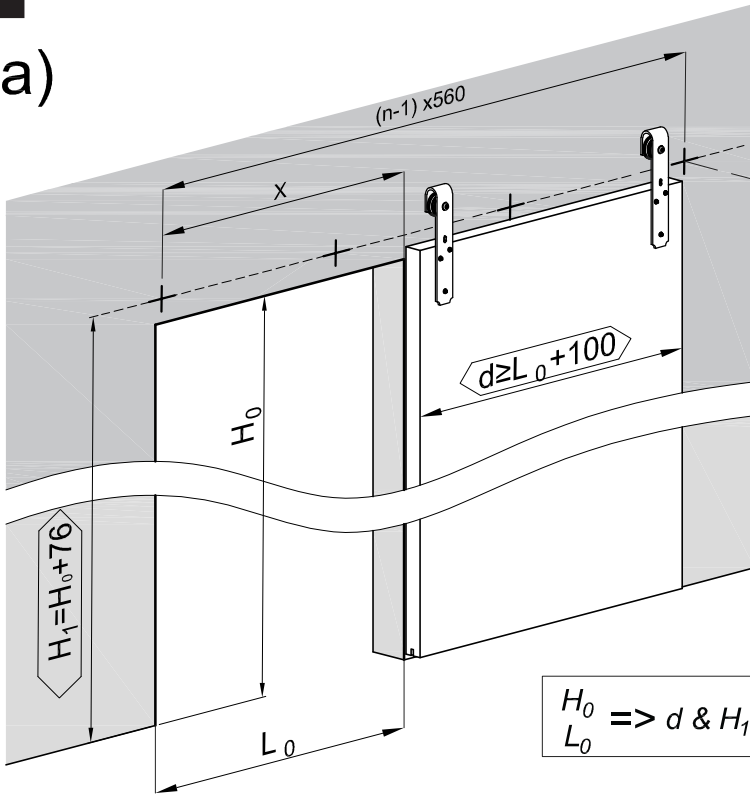
M4

x4



1

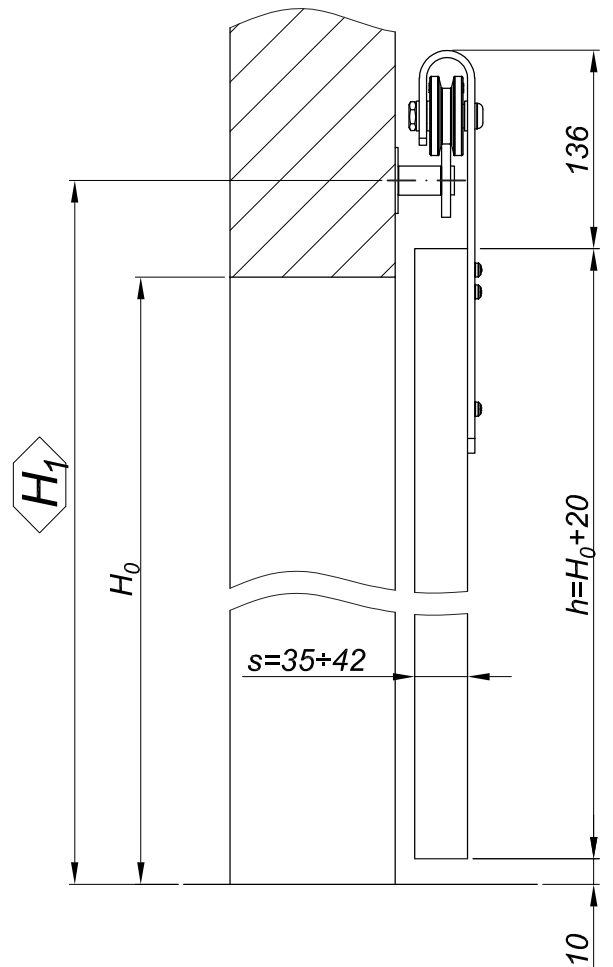
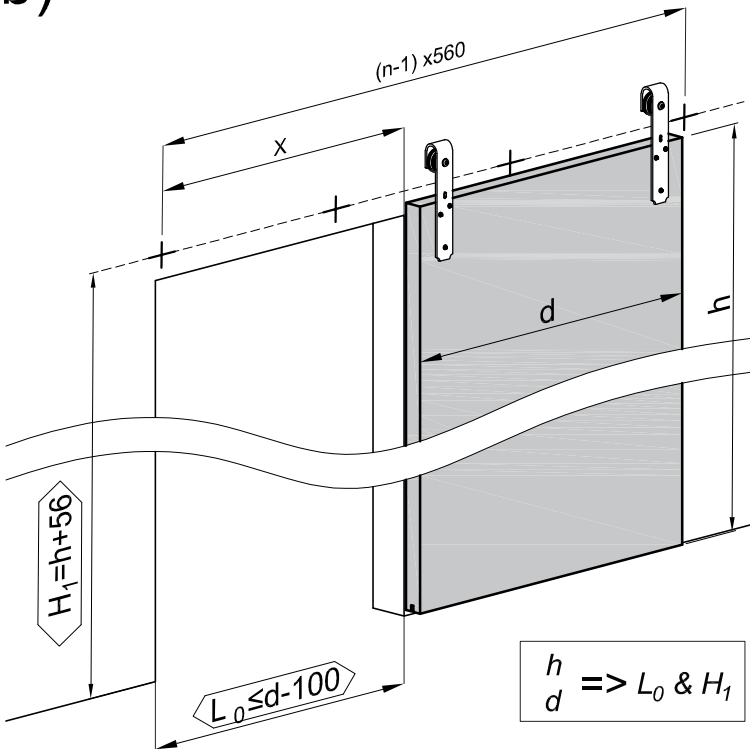
a)



$L_{Track}$ [mm]	1950	2400	3000
$X$ [mm]	840	1120	1400
$n$	4	5	6

$H_0 \Rightarrow d \ \& \ H_1$   
 $L_0 \Rightarrow d \ \& \ H_1$

b)



$h \Rightarrow L_0 \ \& \ H_1$   
 $d \Rightarrow L_0 \ \& \ H_1$

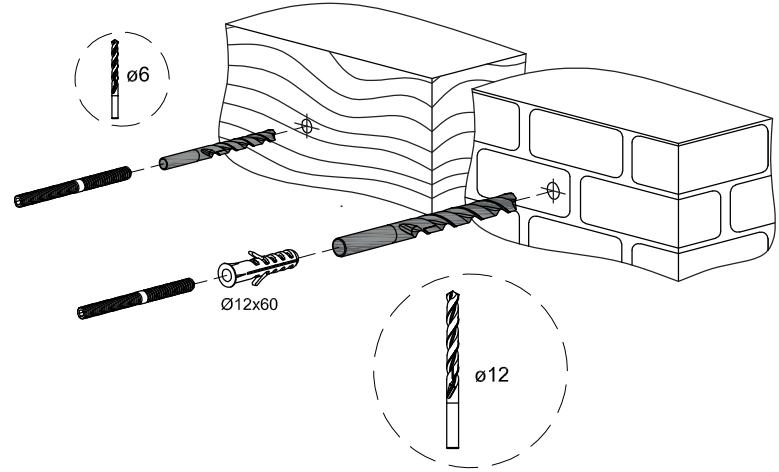
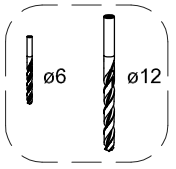
216-110  
 216-111

⚠

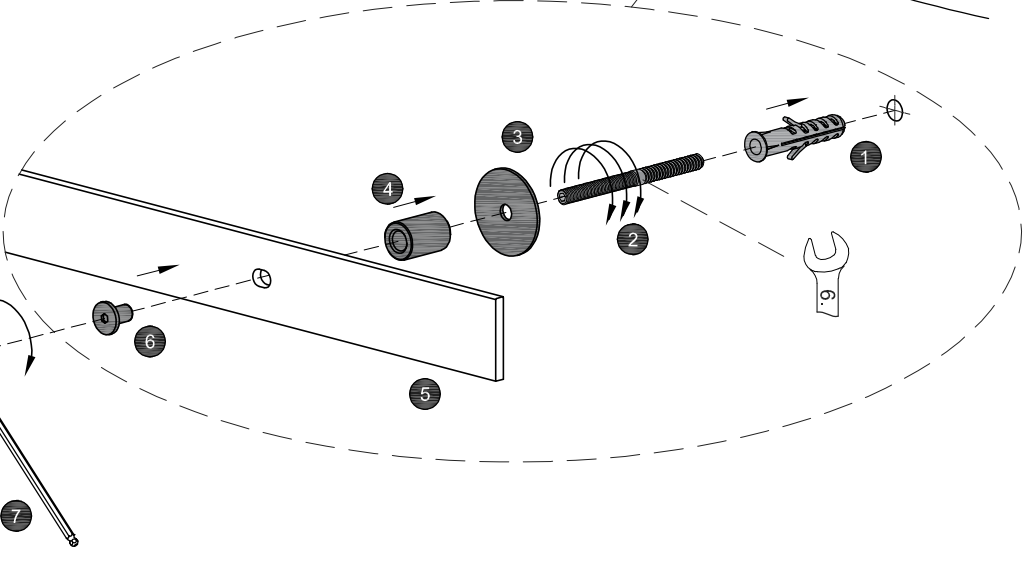
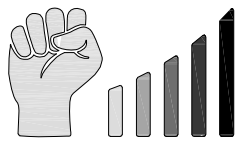
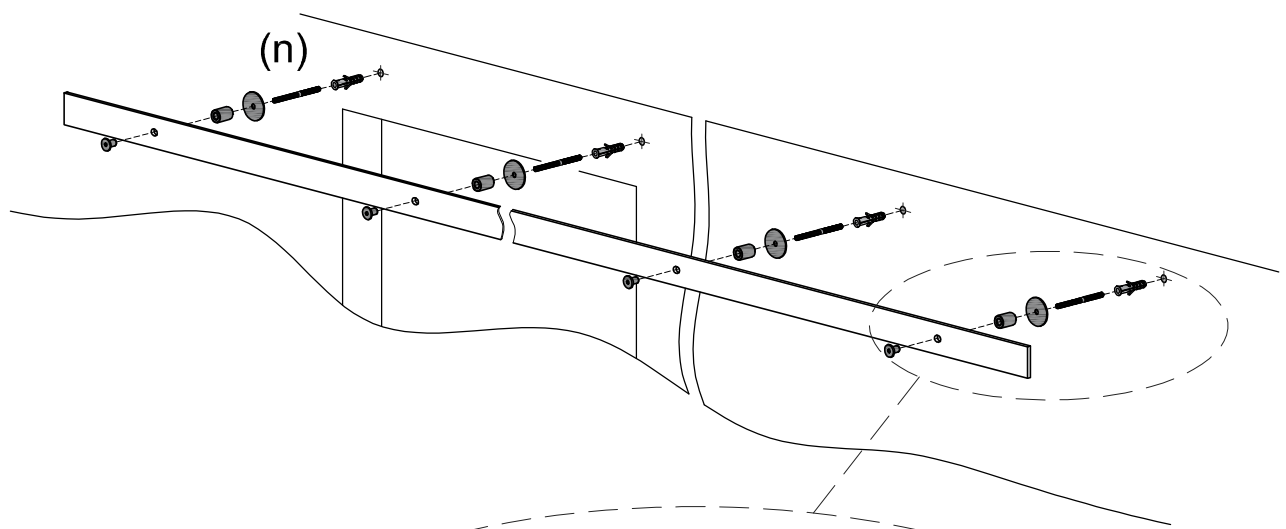
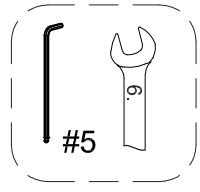
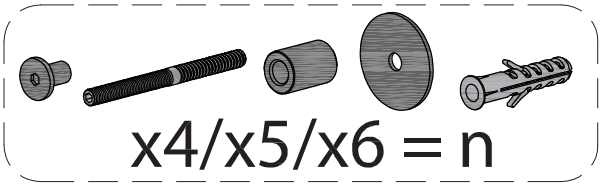
$H_1 = H_0 + 81$   
 $H_1 = h + 61$



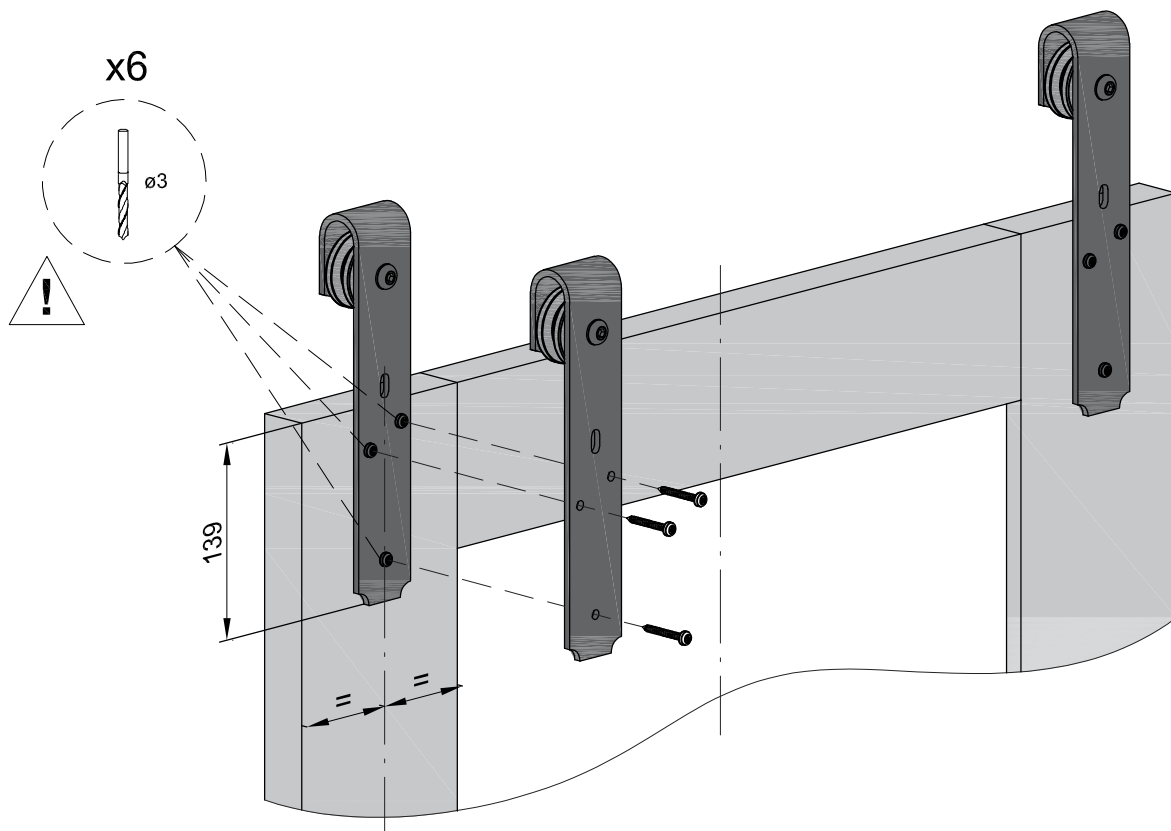
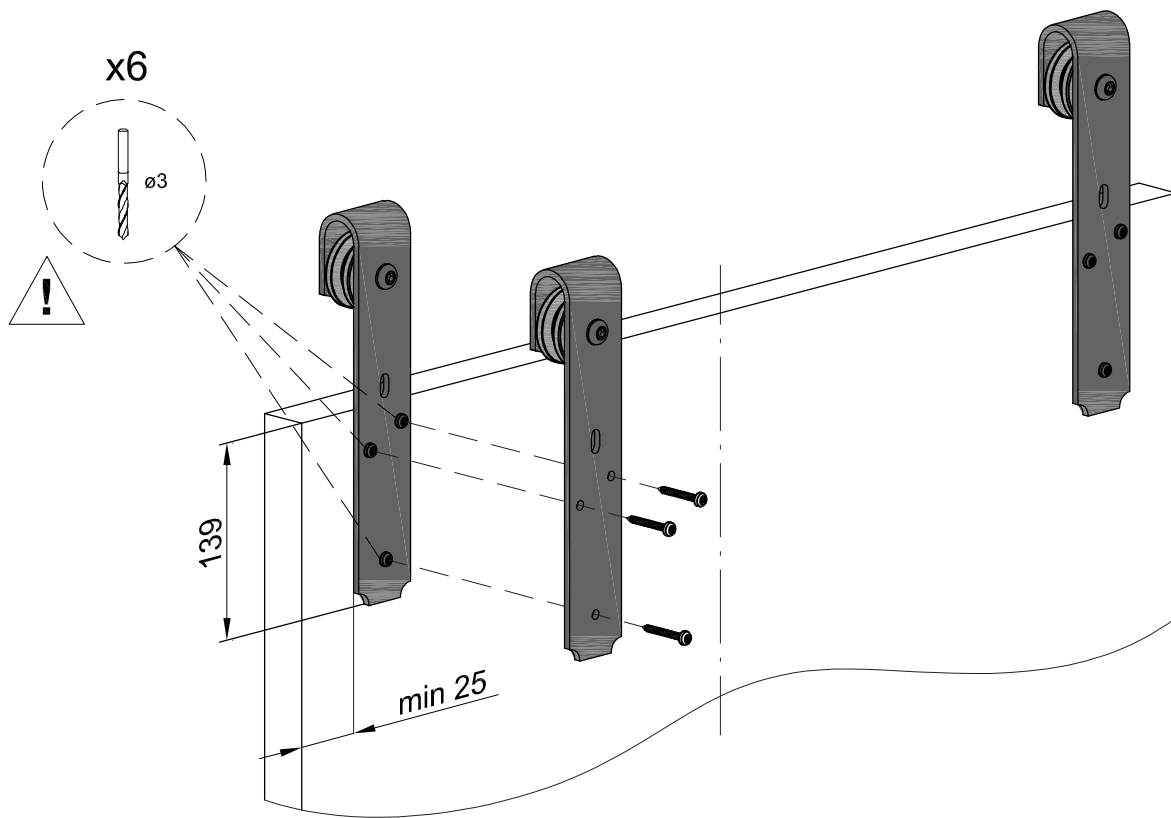
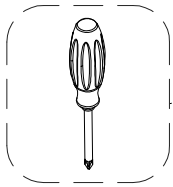
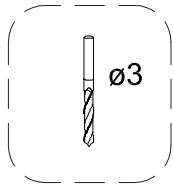
2



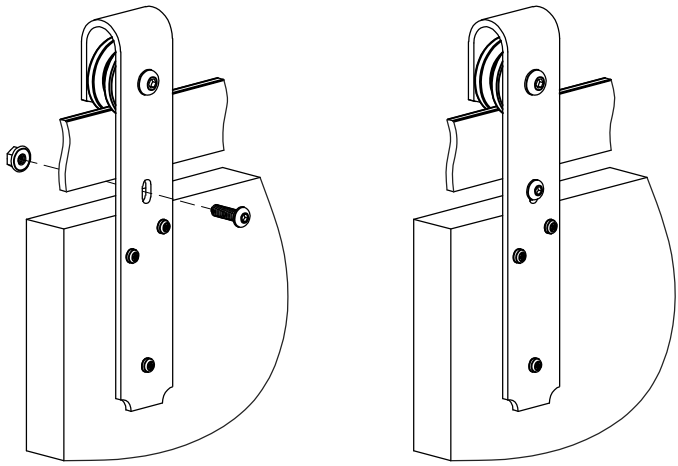
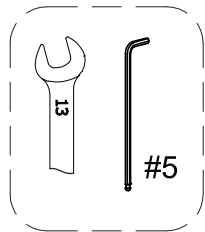
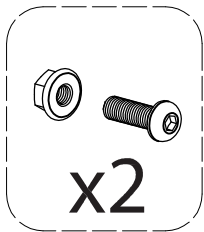
3



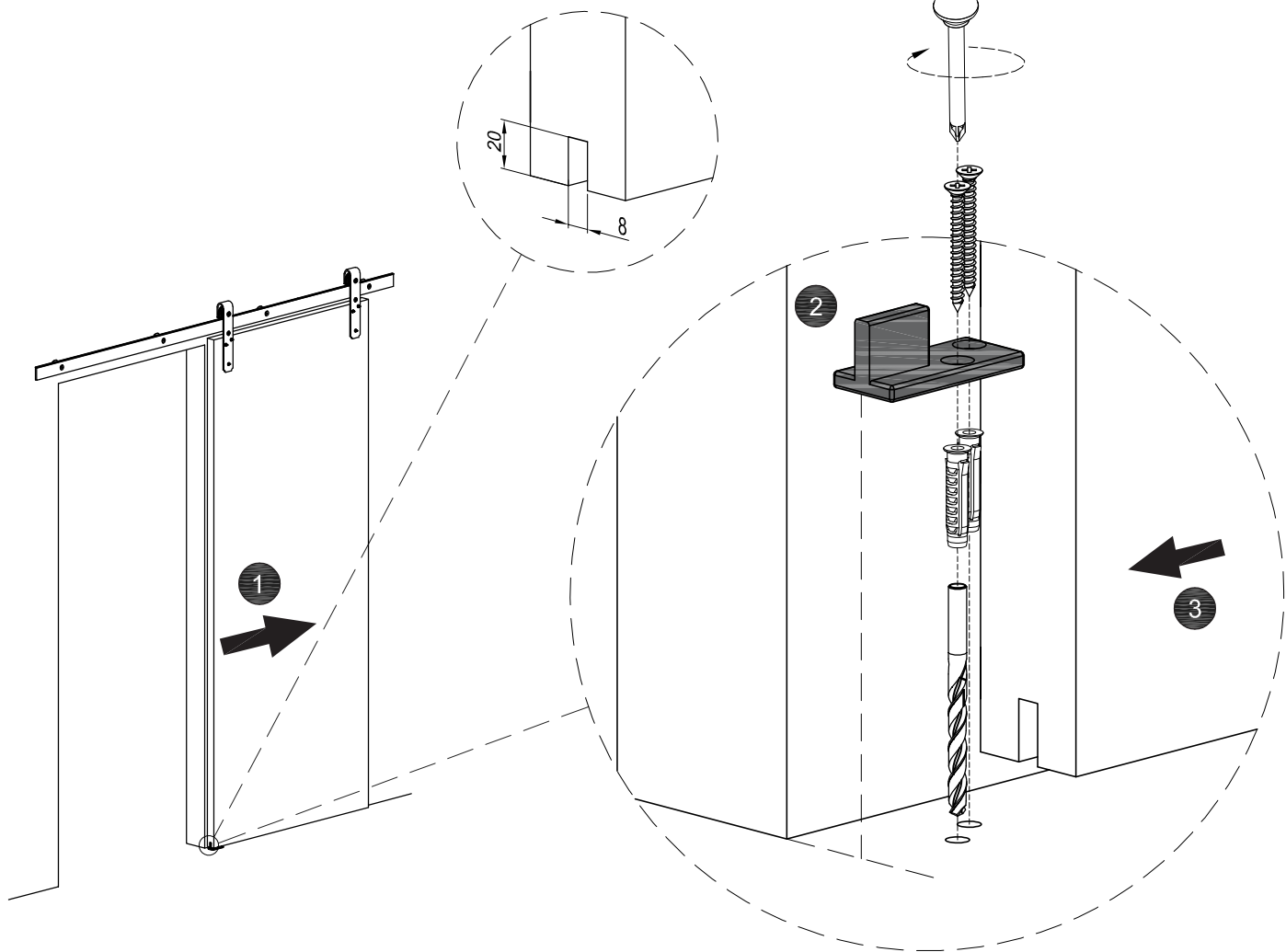
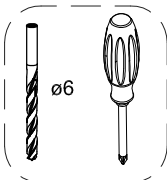
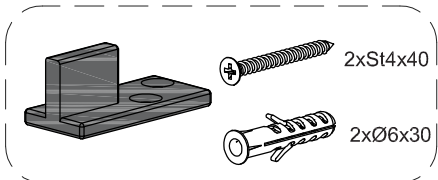
4



5

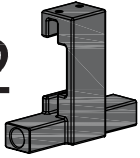


6

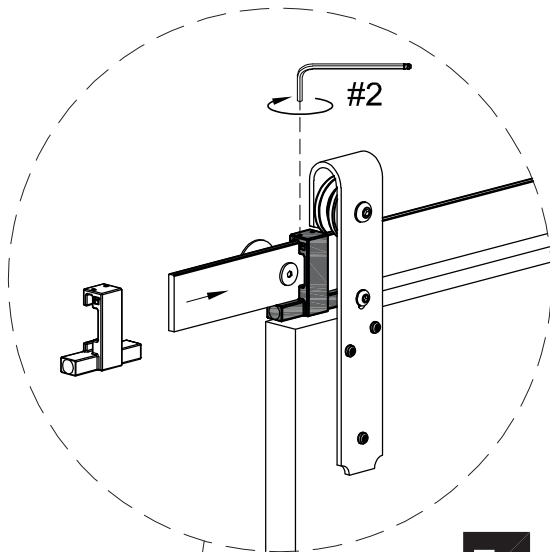
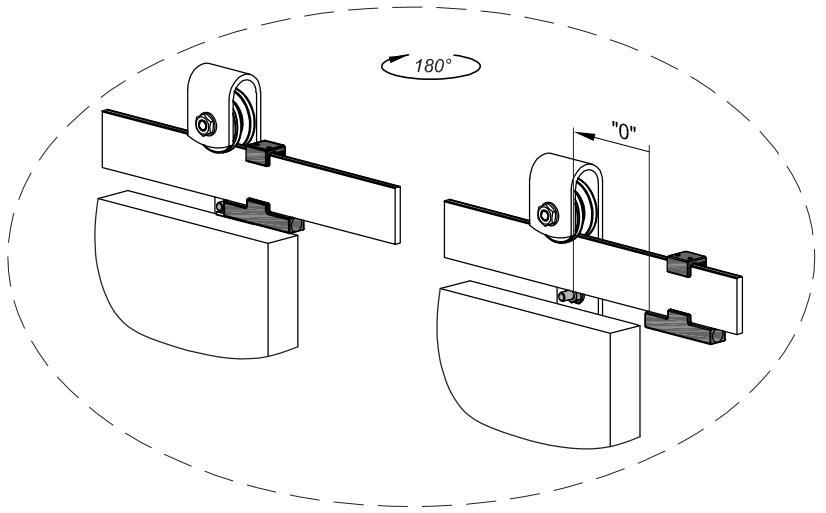


7

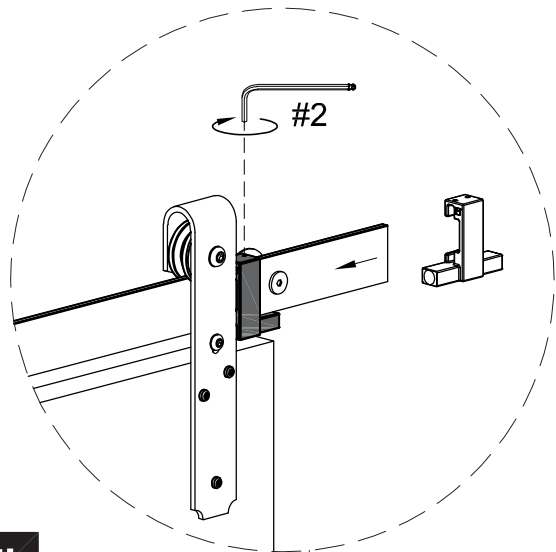
x2



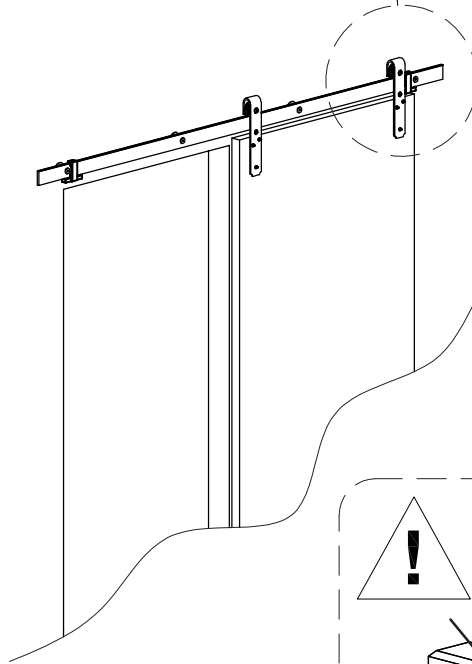
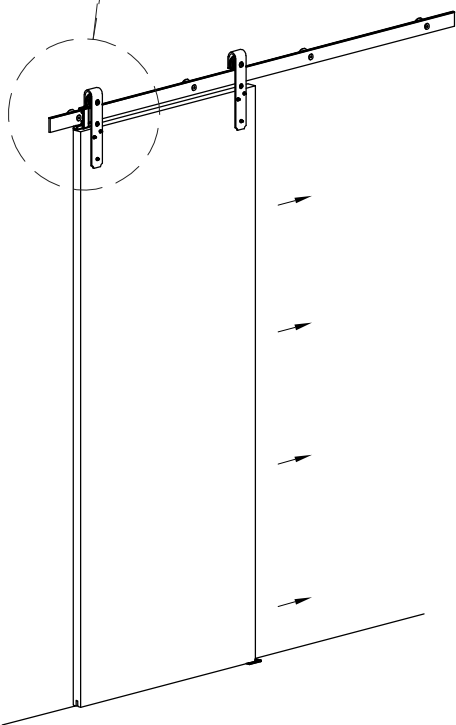
#2



7a



7b



**!**

321-090  
321-091

~~Illustration of a rectangular spacer block~~ → x2

