

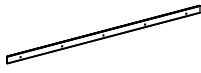


MANTION POLSKA

WWW.MANTION.PL

Ran | ROC DESIGN

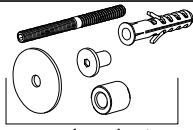
219-246, 219-247, 219-248, 219-249
219-333, 219-343, 291-353, 291-363



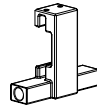
x1



x2



x4/x5/x6



x2



x1



St4x40

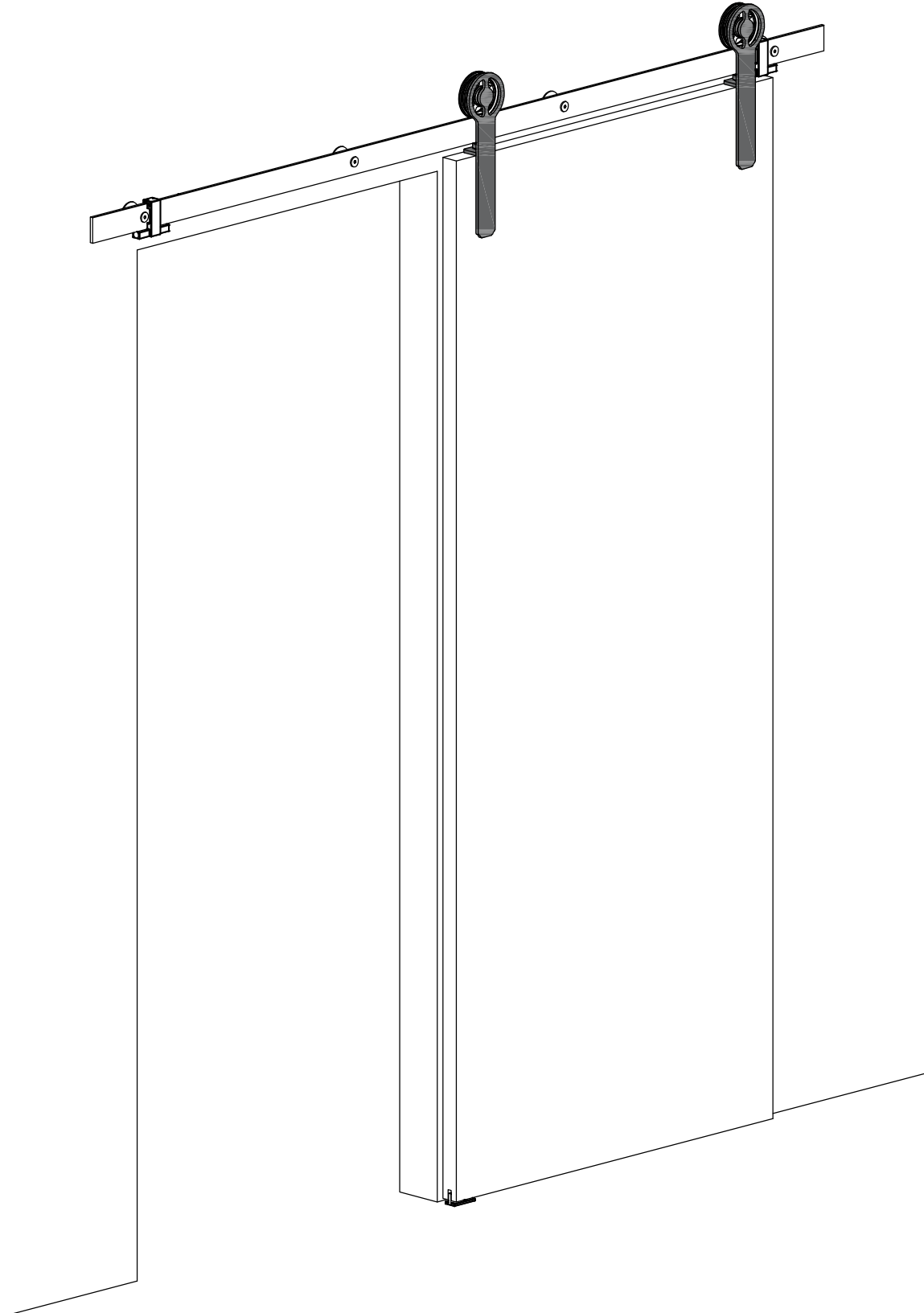
Ø6x30

x2

St8x60

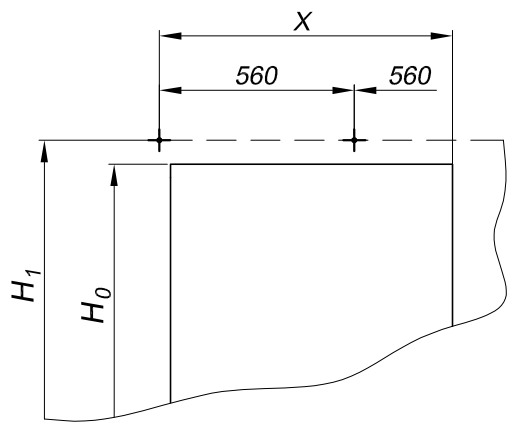
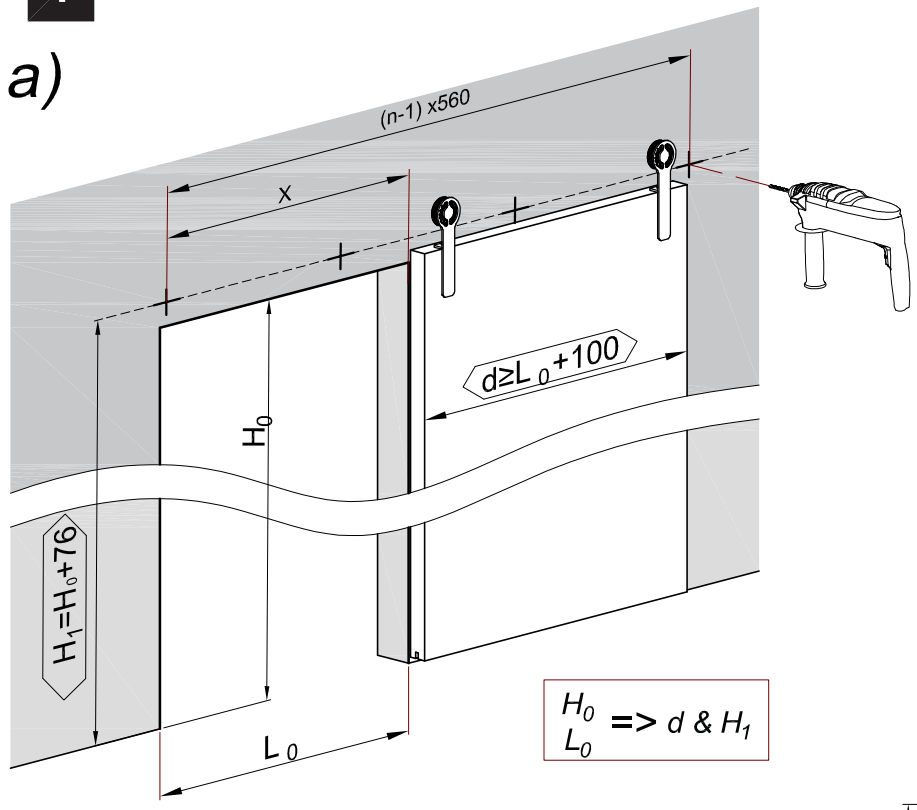


x2



1

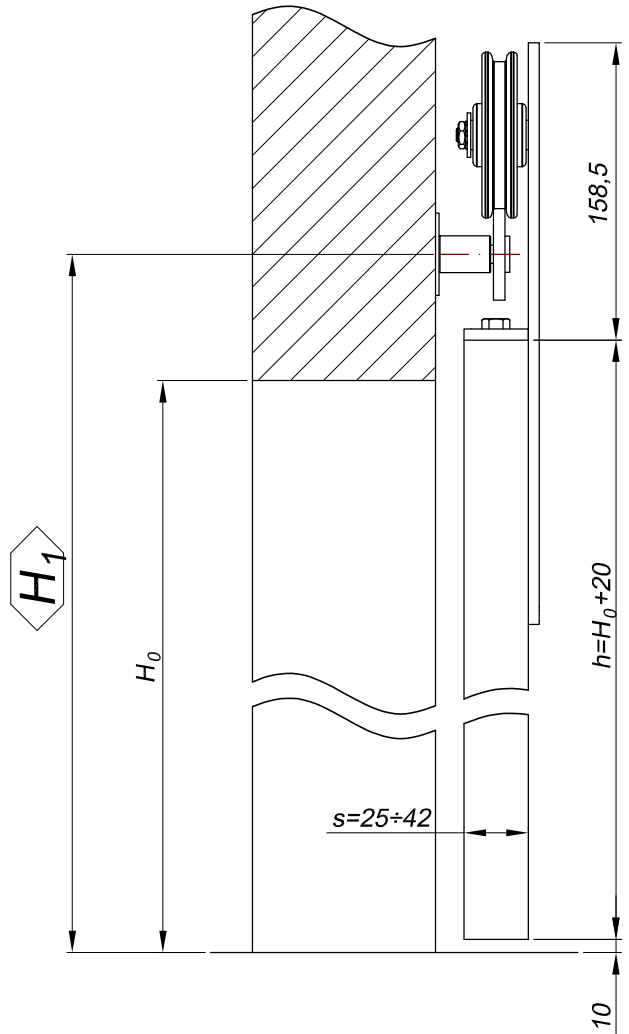
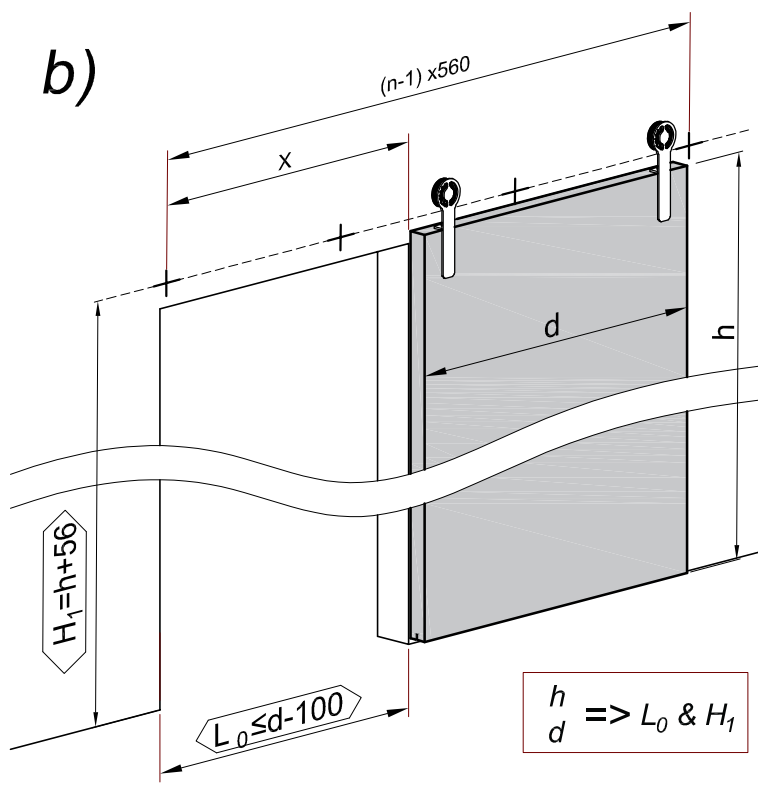
a)



L_{Track} [mm]	1950	2400	3000
X [mm]	840	1120	1400
n	4	5	6

$H_0 \Rightarrow d \ \& \ H_1$
 L_0

b)



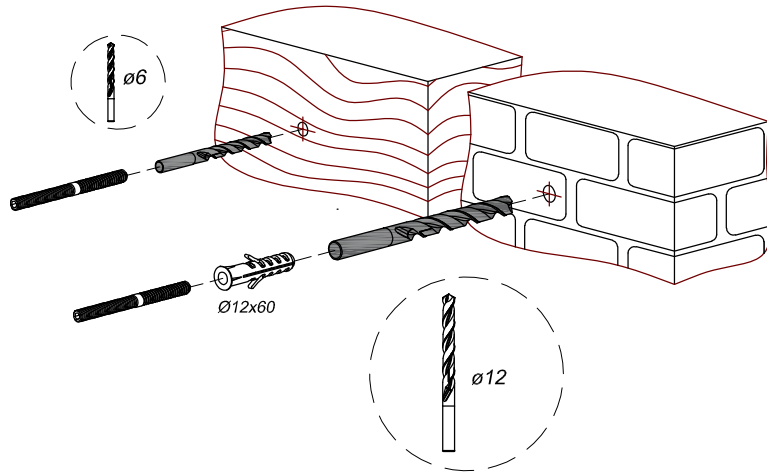
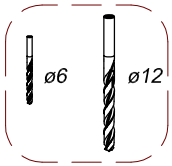
$h \Rightarrow L_0 \ \& \ H_1$
 d

216-110
216-111

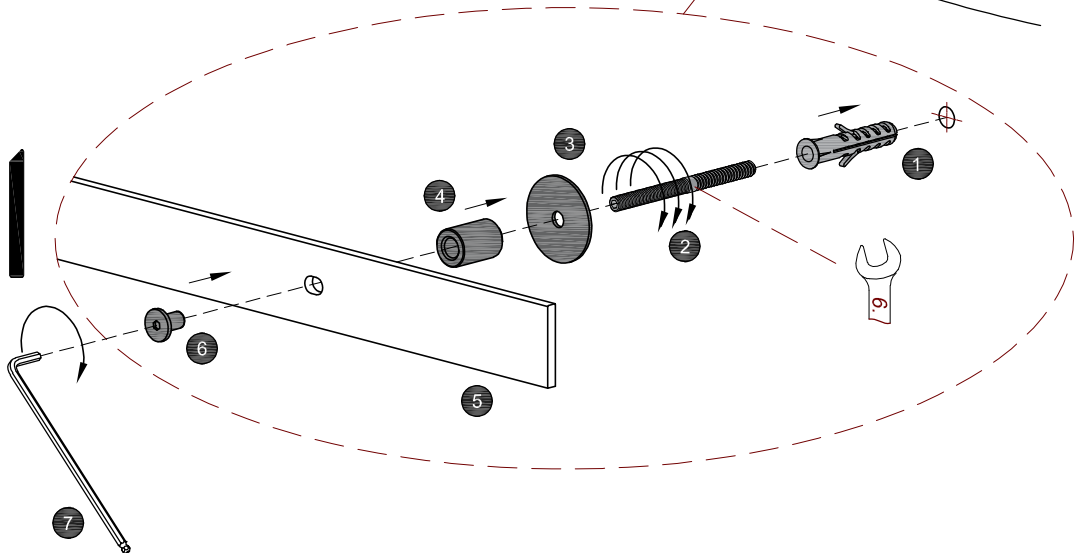
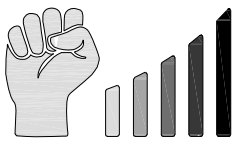
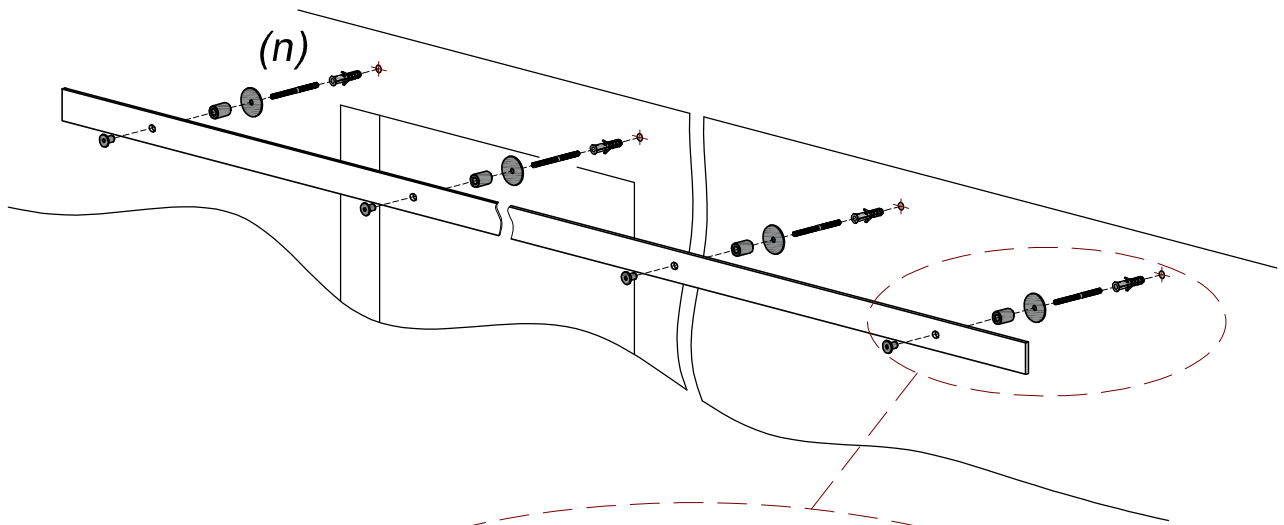
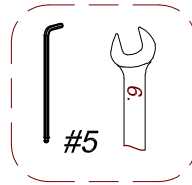
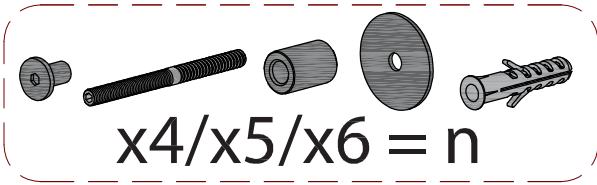
$H_1 = H_0 + 81$
 $H_1 = h + 61$



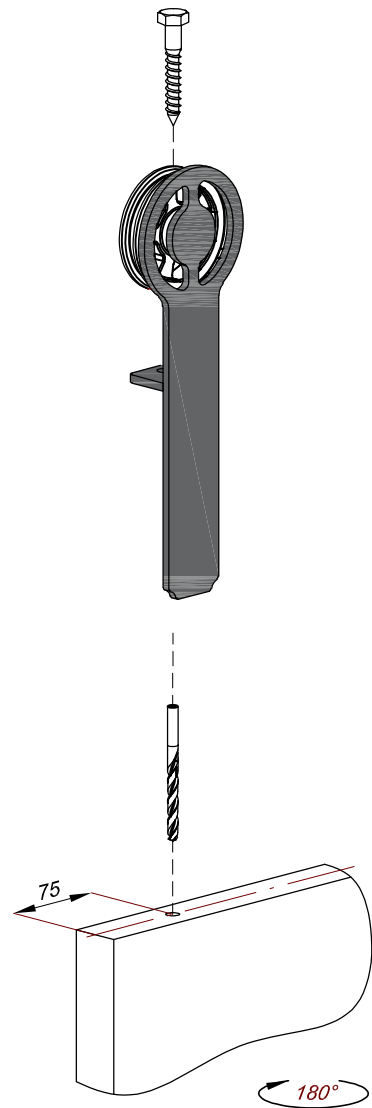
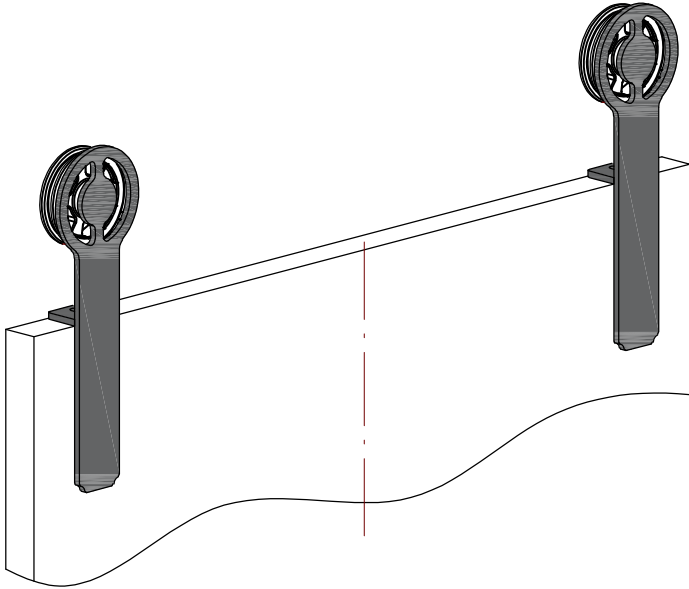
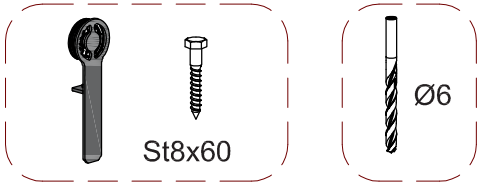
2



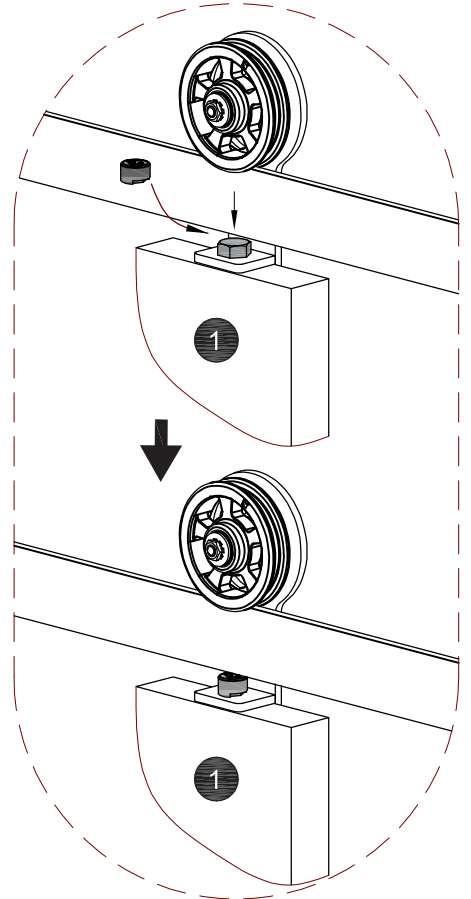
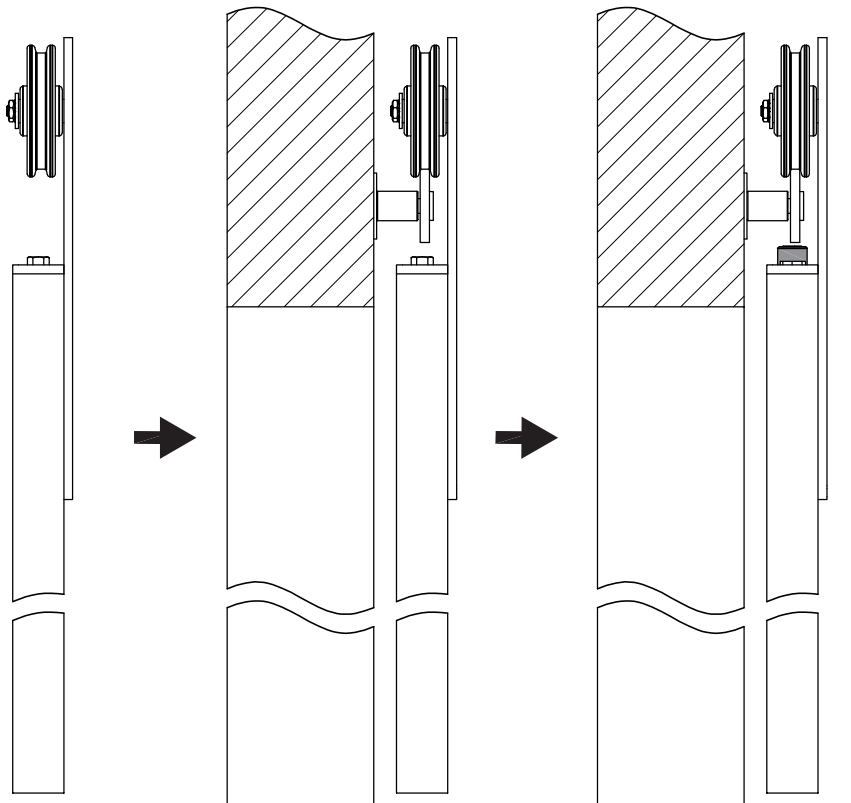
3



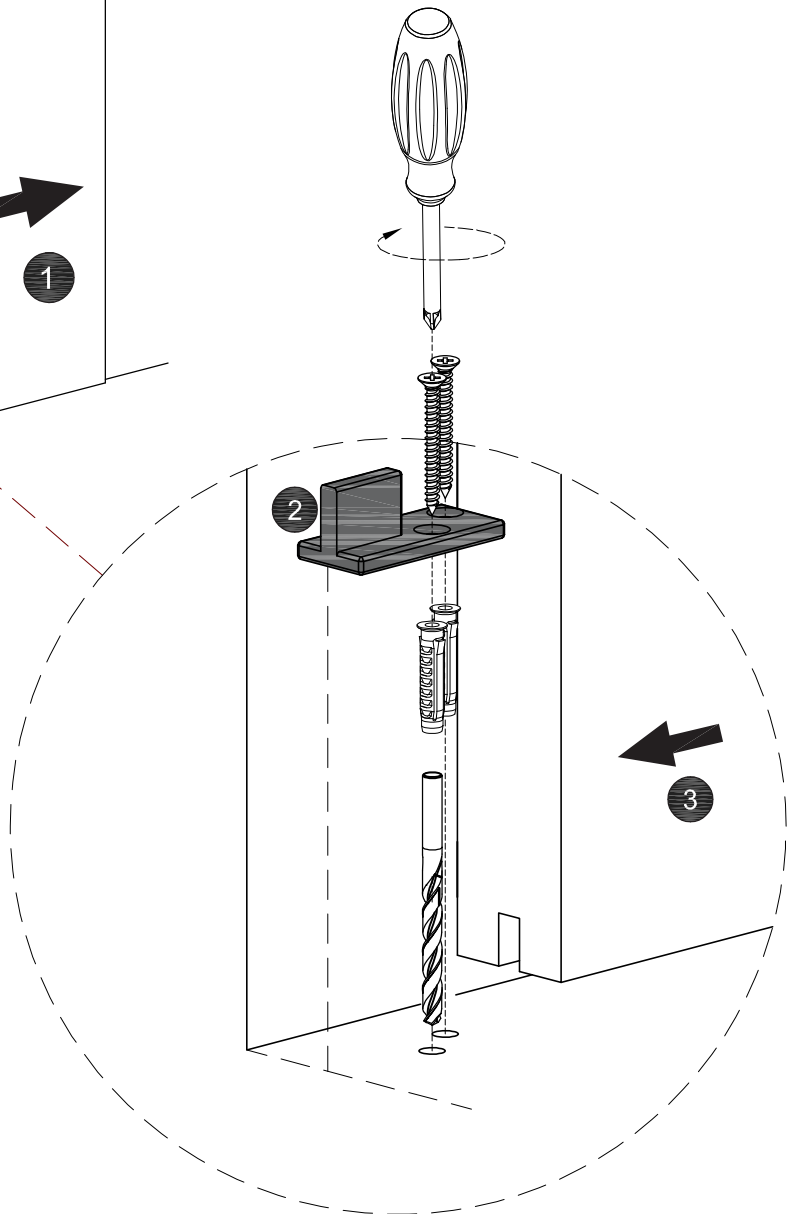
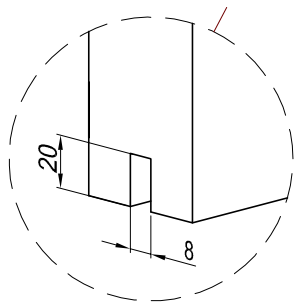
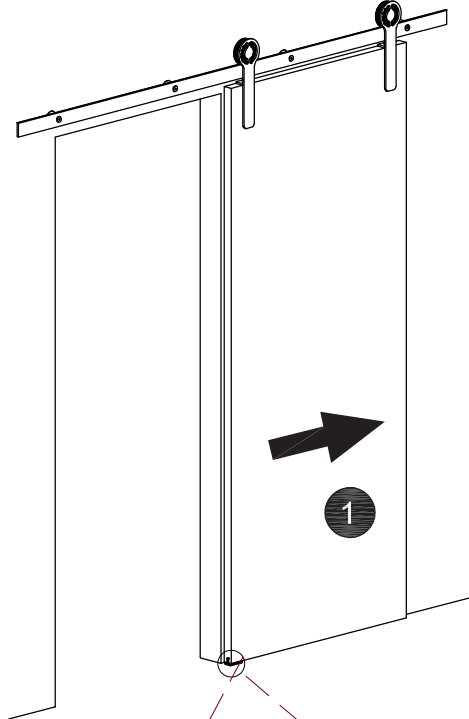
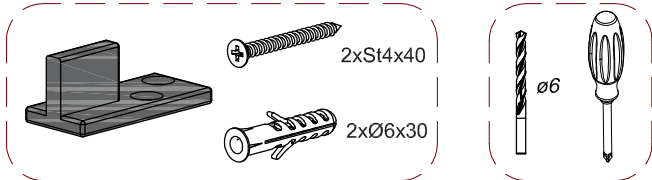
4



5

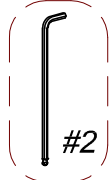
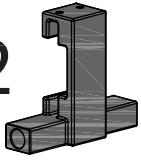


6

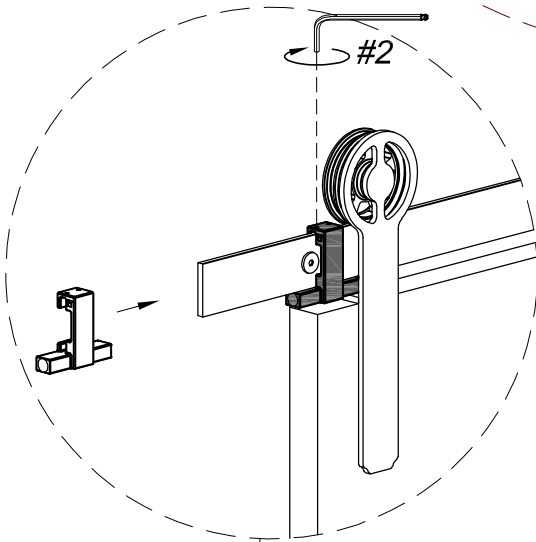
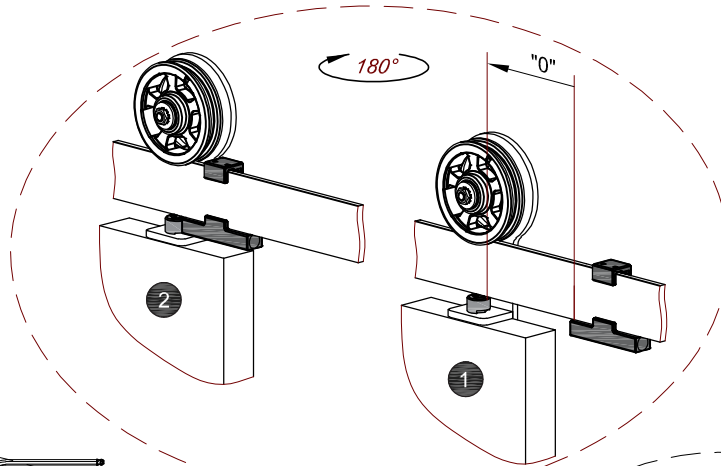


7

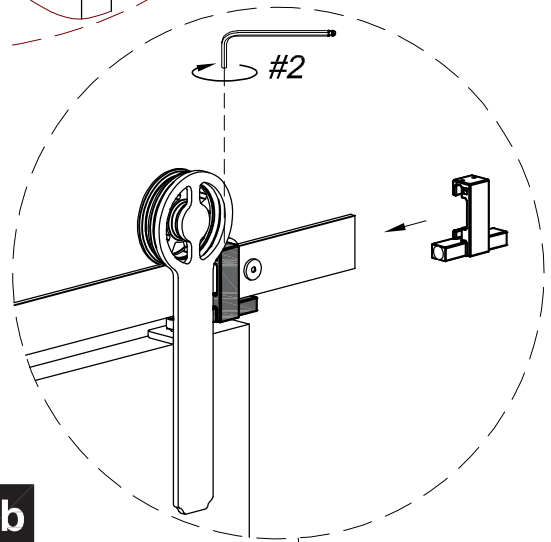
x2



#2



7a



7b

