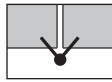
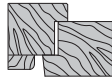


ECLIPSE 2.0 - Adjustable concealed hinge for telescopic coverplate



Description

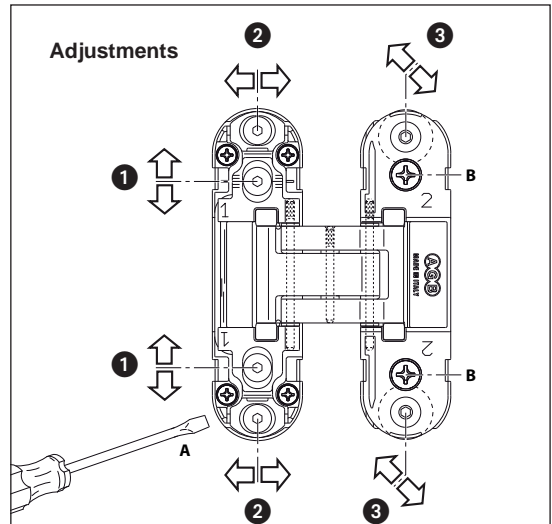
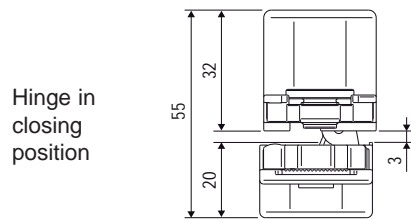
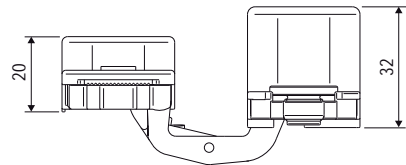
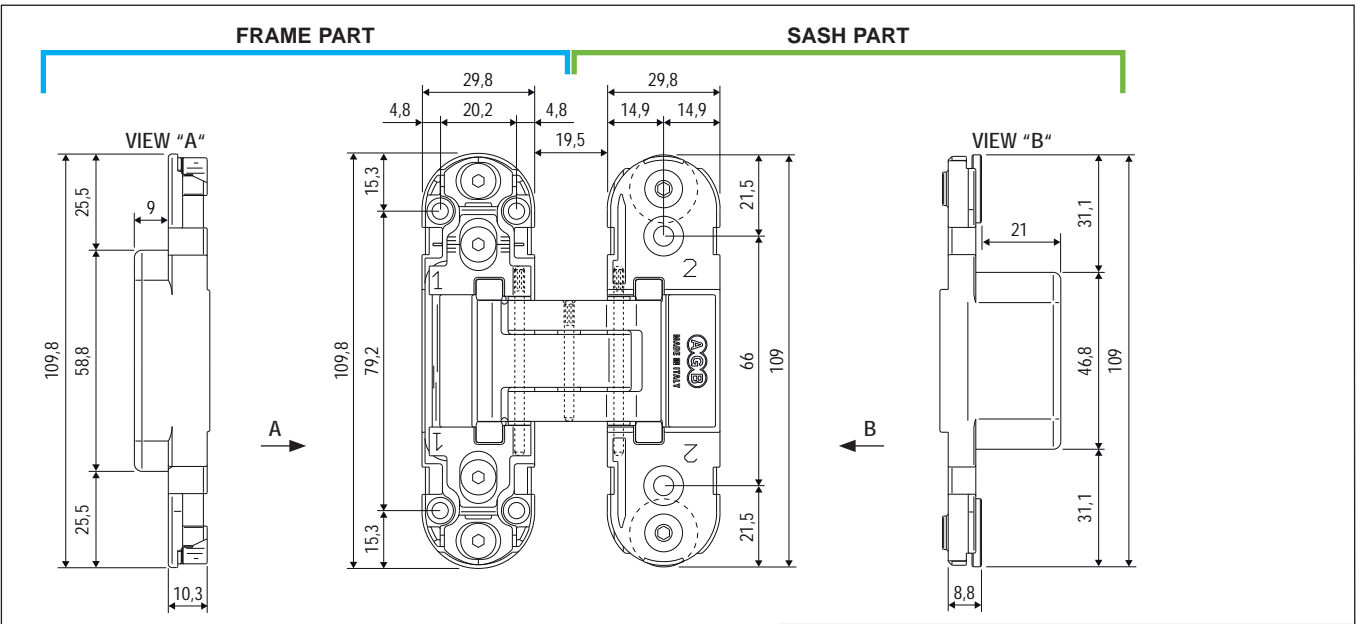
Reversible concealed hinge with a frame part reduced to 20 mm in order to allow the installation of the telescopic coverplate without breaking it in correspondence to the hinge. Eclipse 2.0 is adjustable on 3 axis and allows a 180° opening. It is suitable for flush doors from 40 to 44 mm.

Capacity

40 kg with 2 hinges.

Fitting

Perform pre-holes. Set millings on sash and frame as shown in drilling diagram. Fasten the hinge with 5x40 mm screws for sash part and 4x25 mm screws for frame part.



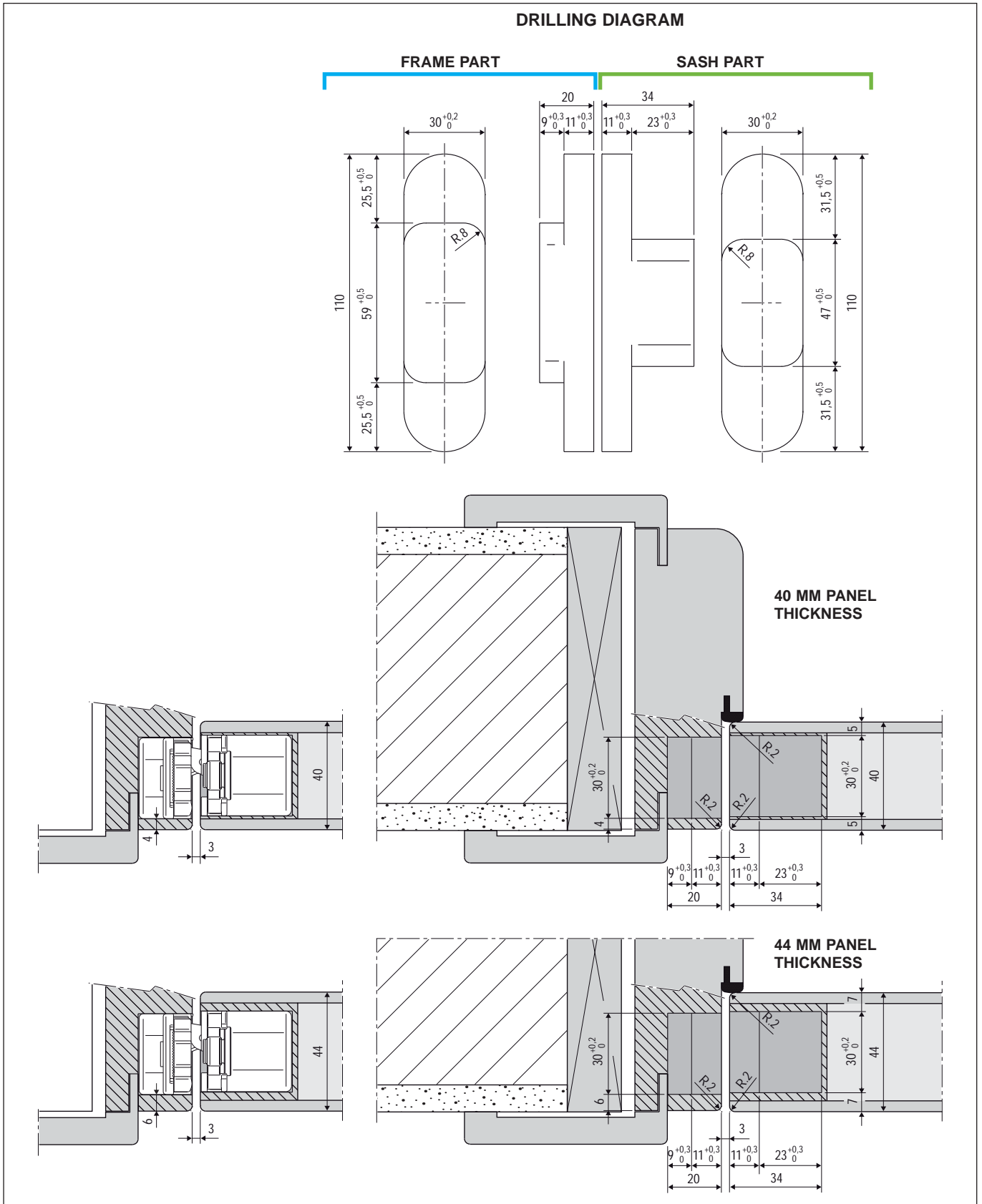
Do the adjustments here below one at a time, with 3 mm Allen key:

- **±2 mm vertical adjustment:** loosen the screws **1** to get the desired adjustment helping yourself with a flat-bladed screwdriver (A). After this operation fasten the screws.
- **±1 mm pressing adjustment:** loosen the screws **2**.
- **±1,5 mm horizontal adjustment:** once loosened screws (B) adjust screws **3**.

Covers available

FRAME	SASH	ABS: Art. E30200.11.XX

ECLIPSE 2.0 - Adjustable concealed hinge for telescopic coverplate



Order specifications

Materiale	Article
ZAMAK	E30200.03.XX

NB. Refer to the price list in force to check the availability of the finishes.